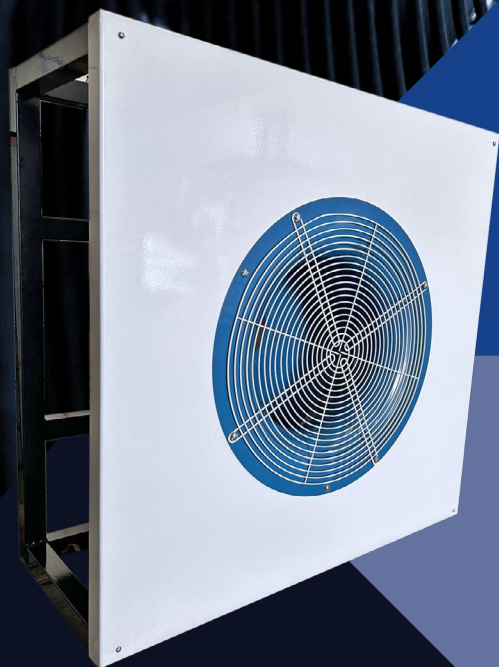


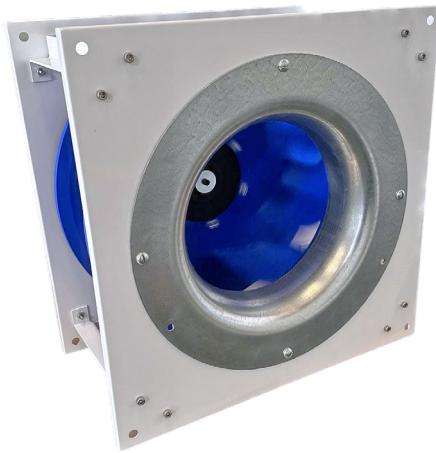


STORGE | STG - PF FAN PLENUM
MAIO_2024_V 0.4



**STG - PF
PLENUM FAN**

STG PF



Plenum Fan

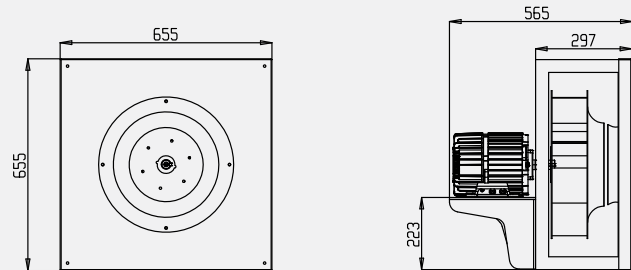
Exhaust of basements, barbecues, and environments in general
 Stairwell pressurization
 Air renewal



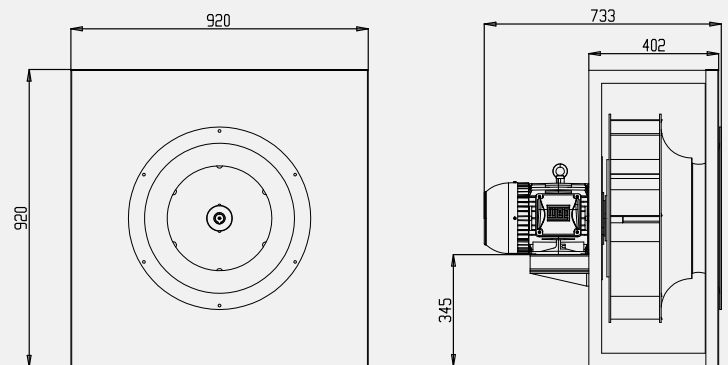
MODEL	STG-PF 400 AC / EC	STG-PF 560 AC	STG-PF 630 AC
MOTOR	CONVENTIONAL OR ELECTRONIC	CONVENTIONAL	CONVENTIONAL
PHASE	SINGLE-PHASE TWO-PHASE TRI-PHASE	TRI-PHASE	TRI-PHASE
NOMINAL VOLTAGE [V]	220	220/380	220/380
FREQUENCY [Hz]	60	60	60
(RPM) MIN	1800	1750	1750
MAXIMUM FLOW [m³/h]	5.300 m³/h	15.800 m³/h	22.500 m³/h
MAXIMUM CONSUMPTION [CV]	1,5	7,5	7,5

With its embedded electronics, the EC motor rotation can be precisely controlled (without the use of frequency inverters) based on an external signal such as sensors, controllers, or automation systems. Request more information about our STG controllers, which can be used alongside EC fans via wireless network, allowing you to control your fan through your cell phone or computer. And you can control all these variables through your cell phone, observing real-time operation. Storage Engineering provides complete solutions using electronic fans integrated into our automation systems for applications such as: ventilation and exhaust in garages, air renewal, pressurized stairwells, FanCoils and AHU retrofits, among others.

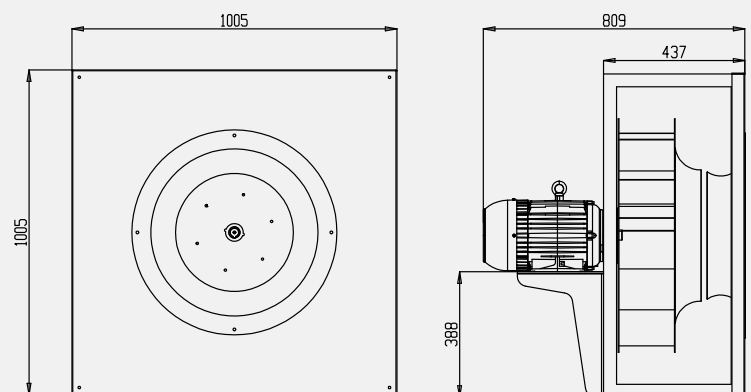
STG-PF 400 AC / EC



STG-PF 560 AC



STG-PF 630 AC

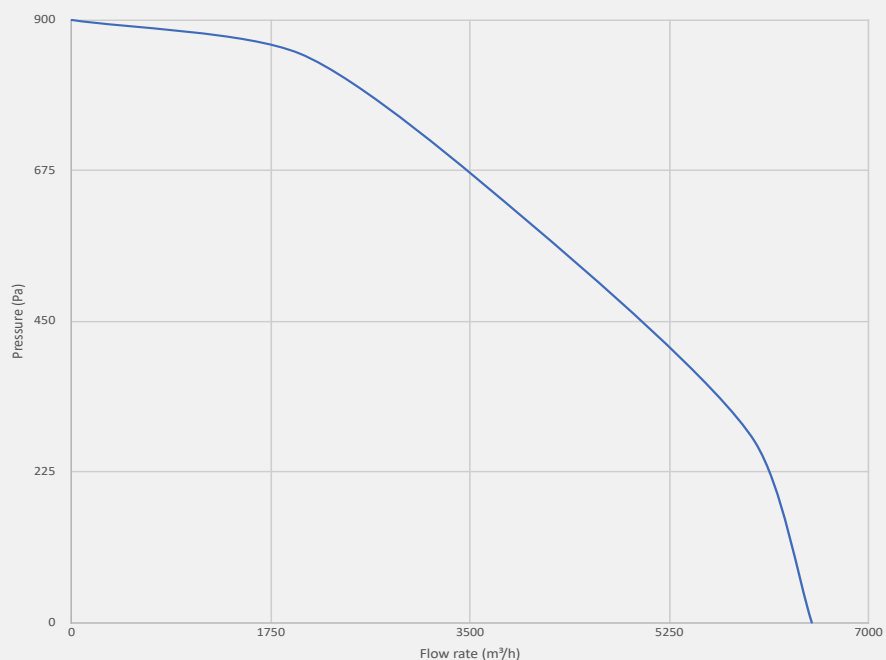


STORGE

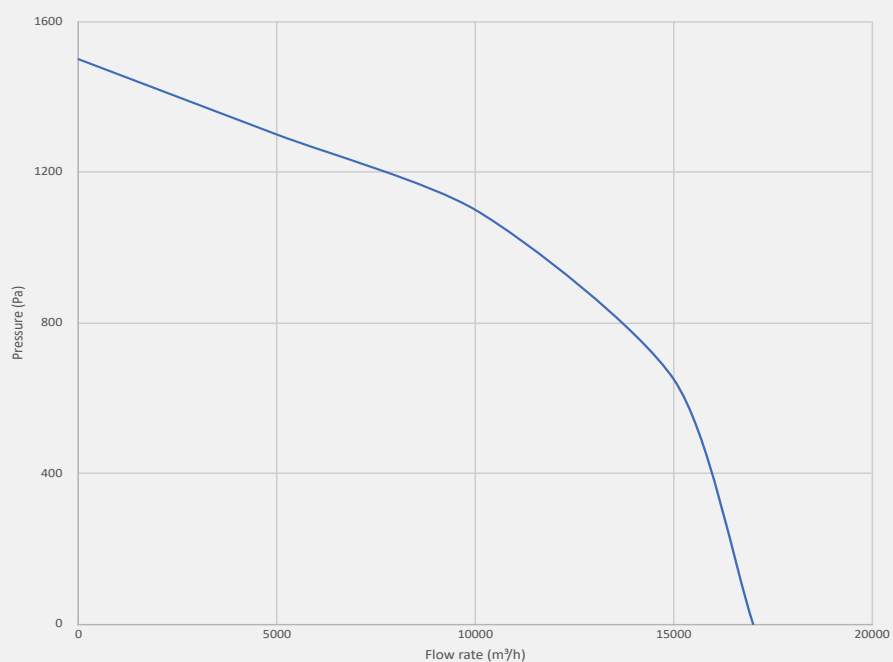
477 MARIALVA STREET – BLOCK 12, LOT 13AI, EMILIANO PERNETA, 83324-197, PINHAIS – PR – +55 41 3056-3431
STORGEENGENHARIA.COM.BR

Flow Curves

STG-PF 400 AC / EC



STG-PF 560 AC



STG-PF 630 AC

